



东莞市晓马精密机械有限公司
XIAOMA PRECISION MACHINERY CO., LTD.

广东省东莞市中堂镇三涌村南堤南汴新村
Nanbianxincun, Nanti, Sanyong Village,
Zhongtang Town, Dongguan, Guangdong, China

TEL: 0769-8508 5719 8812 4299
FAX: 0769-8591 3649

www.xiaomamachine.com



XIAOMA®

In-Mold Labeling system

Automation Is Your Future



Packing Product of IML

<Lid_single one side>



<Bowl_double two sides>



<Cup & Can_single round side.....>



<Box_single five side.....>

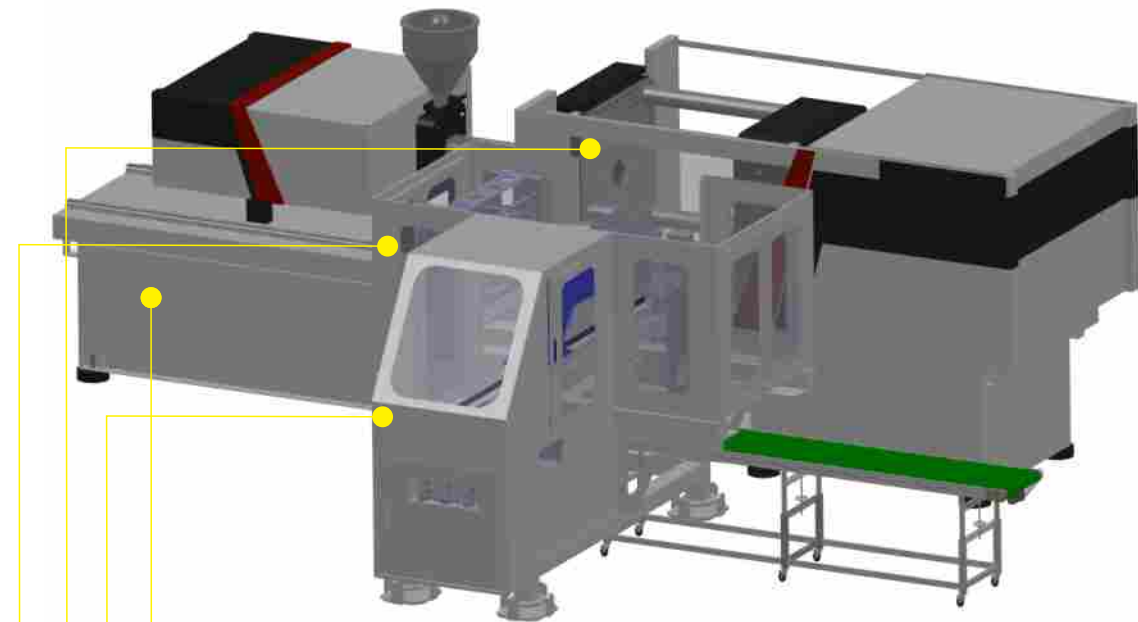


.....We devote to providing different IML solutions to satisfy your requirements.....

.....We are ONE STATION IML solution provider including AutomationS , molds, labels and Plant setup.

Side Entry In-mold Label System

IS-180/220

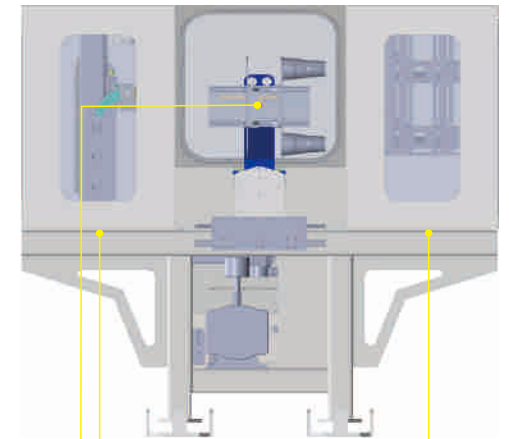


- Injection molding machine 150-450T
- IML Robot
- Mold
- Label



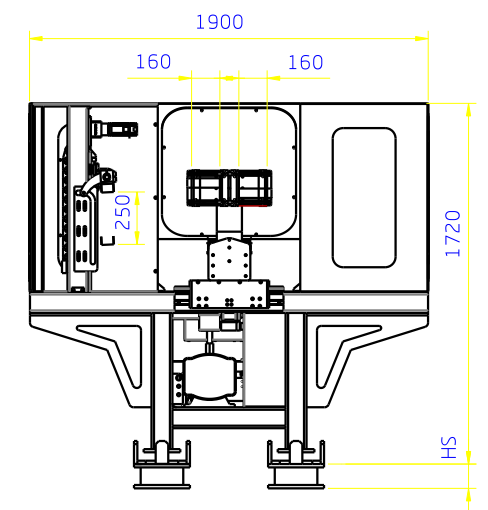
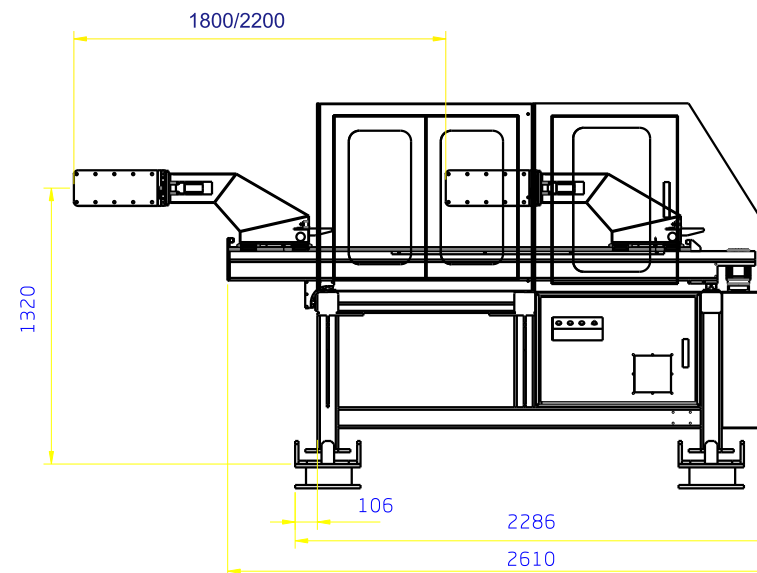
Smart level pad provides flexibility of position fine tune.

Enhance the structure of Main Arm and Machine Base, to ensure stability in high speed operation .



Alternative exchange of Cartridge and Stacking unit.

Adjustable X axis of E.O.A.T to satisfy several heigh of article.



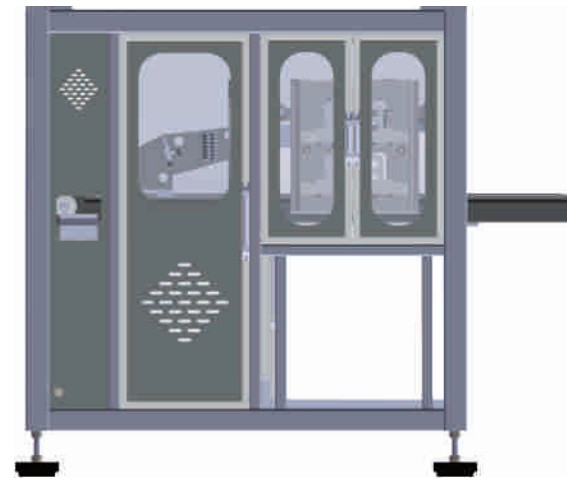
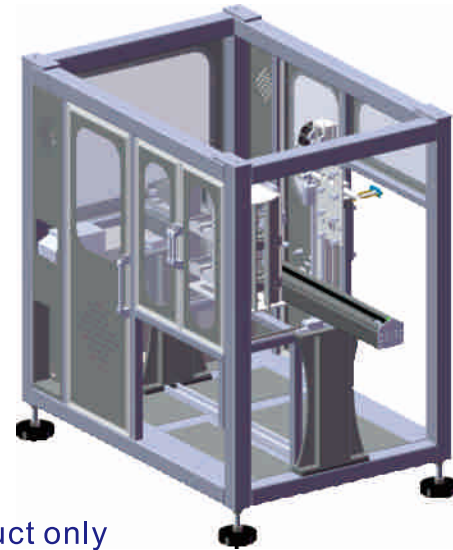
Lid only Side Entry In-mold Label System

ISL -180

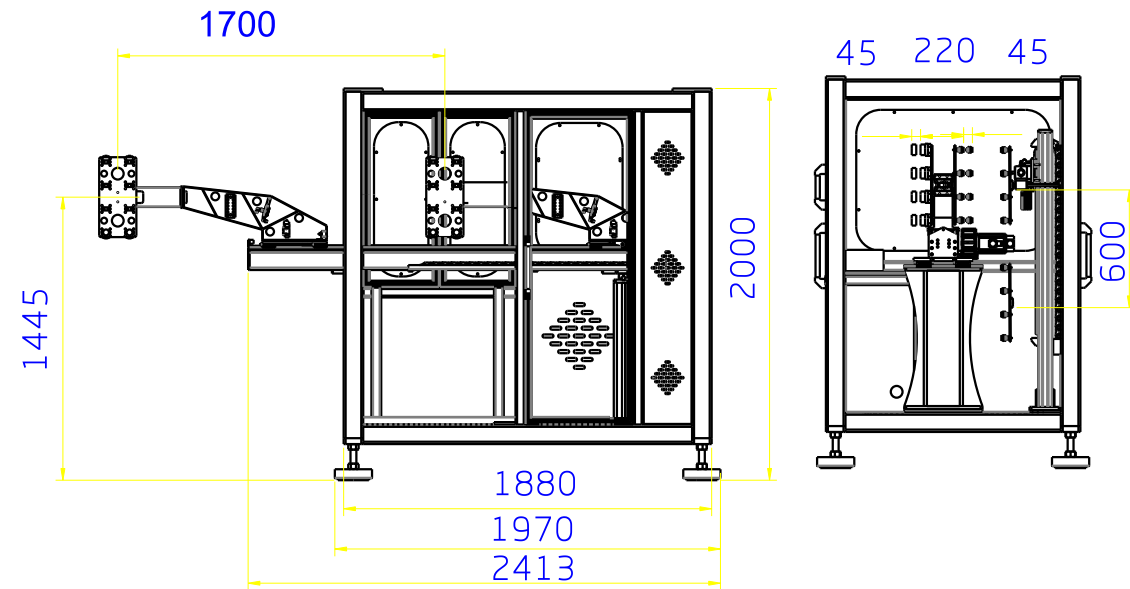
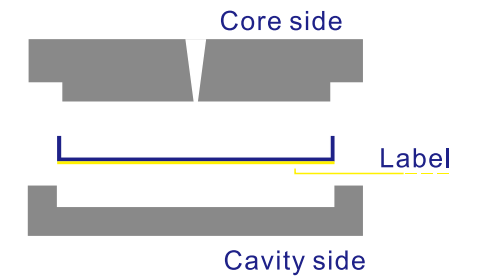
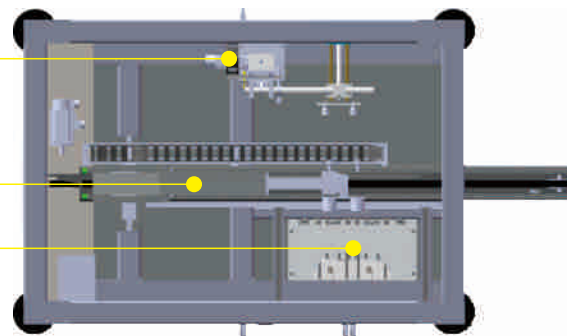
Faster-----Dry cycle 2.8s

Stronger-----Enhance structure

Economically-----Fit or Lid or Flat product only



<Lid_single one side>



- Stacking device
Can operate with vision system
- Main Arm and E.O.A.T
Enhance design to provide speed and stable production.
- Cartridge
Fit for use label magazine, to ensure the label supply in one-by-one.